

[Month DD, YYYY]

via FedEx

**URGENT FIELD SAFETY NOTICE
MEDICAL DEVICE CORRECTION**

Datascope Cardiosave Hybrid and Rescue Intra-Aortic Balloon Pumps (IABP)

| Product Description: | Product Code/Part Number: | UDI Code: |
|----------------------|------------------------------------|-----------------------|
| Cardiosave Hybrid | 0998-00-0800-31 0998-UC-0800-31 | 10607567109053 N/A |
| Cardiosave Hybrid | 0998-00-0800-32 | 10607567111117 |
| Cardiosave Hybrid | 0998-00-0800-33 0998-UC-0800-33 | 10607567109008 N/A |
| Cardiosave Hybrid | 0998-00-0800-34 | 10607567111940 |
| Cardiosave Hybrid | 0998-00-0800-35 | 10607567109107 |
| Cardiosave Hybrid | 0998-00-0800-45 | 10607567108421 |
| Cardiosave Hybrid | 0998-00-0800-52 0998-UC-0800-52 | 10607567108438 N/A |
| Cardiosave Hybrid | 0998-00-0800-53 0998-UC-0800-53 | 10607567108391 N/A |
| Cardiosave Hybrid | 0998-00-0800-55 0998-UC-0800-55 | 10607567108414 N/A |
| Cardiosave Hybrid | 0998-00-0800-65 | 10607567113432 |
| Cardiosave Rescue | 0998-00-0800-75 | 10607567112312 |
| Cardiosave Rescue | 0998-00-0800-83 | 10607567108407 |
| Cardiosave Rescue | 0998-00-0800-85 | 10607567113449 |

| | |
|----------------------------------|----------------------|
| Distributed Affected Lot Number: | All |
| Manufacturing Dates: | Since December 2011 |
| Distribution Dates: | Since March 06, 2012 |

Dear **Hospital Contact**,

Datascope Corp., a subsidiary of Getinge is initiating a voluntary Medical Device Correction for the Cardiosave Hybrid and Cardiosave Rescue Intra-Aortic Balloon Pump (IABP) due to an issue that could affect IABP performance:

There have been reports of damaged, worn, or torn O-rings on the Cardiosave Pump Console quick disconnect fitting resulting in helium tank leaks. The quick disconnect fitting is the point of connection that permits the refilling of the Pump Console's internal helium reservoir when the Pump Console is docked in the Hospital Cart. Please refer to images below for reference.

Helium Leak at the Pump Console Quick Disconnect Fitting

Identification of the issue:

There have been reports of damaged, worn, or torn O-rings on the Cardiosave Pump Console quick disconnect fitting resulting in helium tank leaks. The quick disconnect fitting is the point of connection that permits the refilling of the Pump Console's internal helium reservoir when the Pump Console is docked in the Hospital Cart. Please refer to images below for reference.

Datascope/Getinge has received 51 reported complaints of helium leak as a result of damaged, worn, or torn O-rings over a 2 year period.

There have been 0 adverse events reported.

Risk to Health:

Should a Cardiosave's helium supply be depleted due to an impaired quick disconnect, therapy may be interrupted. As with any therapy interruption, the degree of subsequent hemodynamic stability is related to the patient's overall clinical condition, those critically ill are more vulnerable to clinical decline. The risk of therapy interruption from a depleted helium supply is mitigated by the advanced notice provided to the User (a minimum of approximately 24 hours). The Pump Console's internal helium reservoir may be restored by utilizing another hospital cart or a helium refilling station. Should helium replacement not be feasible or another IABP console not available for use, alternative means of providing hemodynamic support (vasopressors, inotropes or alternate therapies) may be initiated by a healthcare provider as a temporizing measure.

User Actions to be taken now:

1. If user observes any visual damage to the O-ring installed as part of the quick disconnect fitting, please contact your Datascope/Getinge service representative. If possible, remove the IABP from patient use until appropriate repairs can be made.

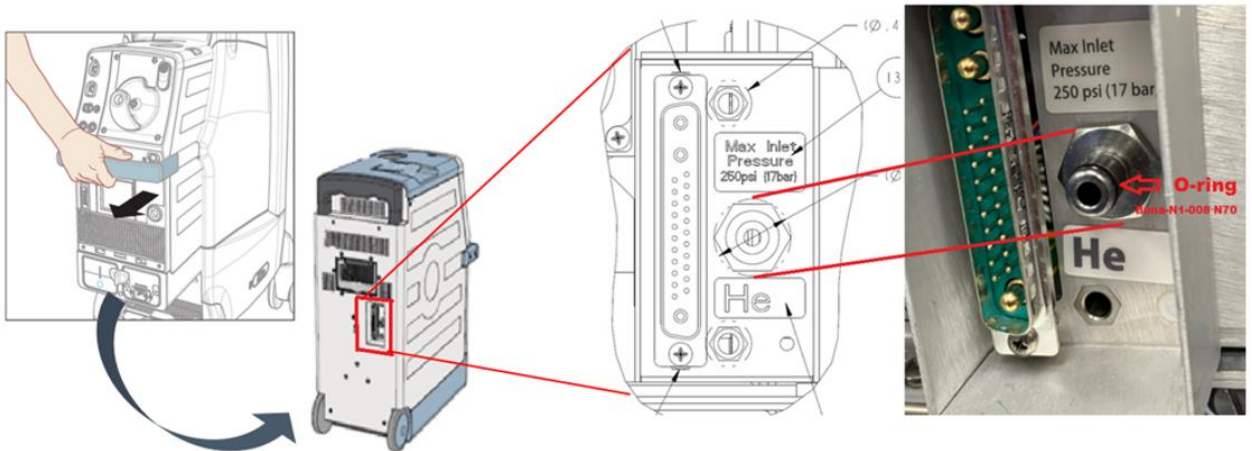


Figure 3: Drawings as pictured in **Cardiosave Hybrid and/or Rescue Operating Instructions**, along with a final picture of the O-ring as it appears on the unit.

Type of Action by the Company:

Datascope/Getinge is currently updating the annual Preventive Maintenance instruction to include replacement of the quick disconnect fitting O-ring.

Actions to be taken by the User related to all issues provided in this notification:

A review of our records indicates that you may have a Cardiosave Hybrid and/or Cardiosave Rescue Intra-Aortic Balloon Pump (IABP) in your facility. Please examine your inventory immediately to determine if you have any Cardiosave Hybrid and/or Rescue IABPs.

Please complete and sign the attached URGENT FIELD SAFETY NOTICE MEDICAL DEVICE CORRECTION - RESPONSE FORM (Page 5) to acknowledge that you have received and understand this notification. Return the completed form to Datascope/Getinge by e-mailing a scanned copy or by faxing the form to your local Datascope/Getinge Representative or office.

Please forward this information to all current and potential Cardiosave Hybrid and/or Cardiosave Rescue Intra-Aortic Balloon Pump (IABP) users within your hospital/facility.

If you are a distributor who has shipped any affected products to customers, please forward this letter to their attention for appropriate action

This voluntary correction notification only affects the products listed on page 1; no other products are affected by this voluntary correction.

We apologize for any inconvenience this Medical Device Correction may cause. If you have any questions, please contact your local Datascope/Getinge Representative or office.

Sincerely,

[FULL NAME]

[TITLE]

Getinge

[Month DD, YYYY]

URGENT FIELD SAFETY NOTICE
MEDICAL DEVICE CORRECTION – RESPONSE FORM
Datascope Cardiosave Hybrid and Rescue Intra-Aortic Balloon Pumps (IABP)

[ADD ACCOUNT#
 FACILITY NAME
 STREET ADDRESS
 CITY, STATE, ZIP CODE]

I acknowledge that I have reviewed and understand this Urgent Medical Device Correction Letter regarding Helium Leak at the Pump Console Quick Disconnect Fitting related to the affected Cardiosave Hybrid and Rescue Intra-Aortic Balloon Pump(s) (IABP(s) at this facility.

I confirm that all users of the Cardiosave Hybrid and Rescue Intra-Aortic Balloon Pump(s) (IABP(s) at this facility have been notified accordingly.

Please provide the required information and signature below.

Facility Representative Information:

Signature: _____ Date: _____

Name: _____ Phone: _____

E-Mail Address: _____

Title: _____ Department: _____

Hospital Name: _____

Address, City and State: _____

We have scrapped our Cardiosave Hybrid and Rescue Intra-Aortic Balloon Pump(s):
 Circle one **YES NO** If yes, list Serial Numbers: _____

We have sold/moved our Cardiosave Hybrid and Rescue Intra-Aortic Balloon Pump(s) to another facility:
 Circle one **YES NO** If yes, list Serial Numbers: _____

If you answered YES above: please provide new facility information below.

New Facility Name: _____

New Facility Address: _____

New Facility Contact Name: _____ **New Facility Phone #:** _____

Return the completed form by **FAX to XXXXXXXX** or by EMAIL to **xxxxxxxxx@getinge.com**